

A37

1U Passive Air Cooler

PRODUCT SPECIFICATIONS

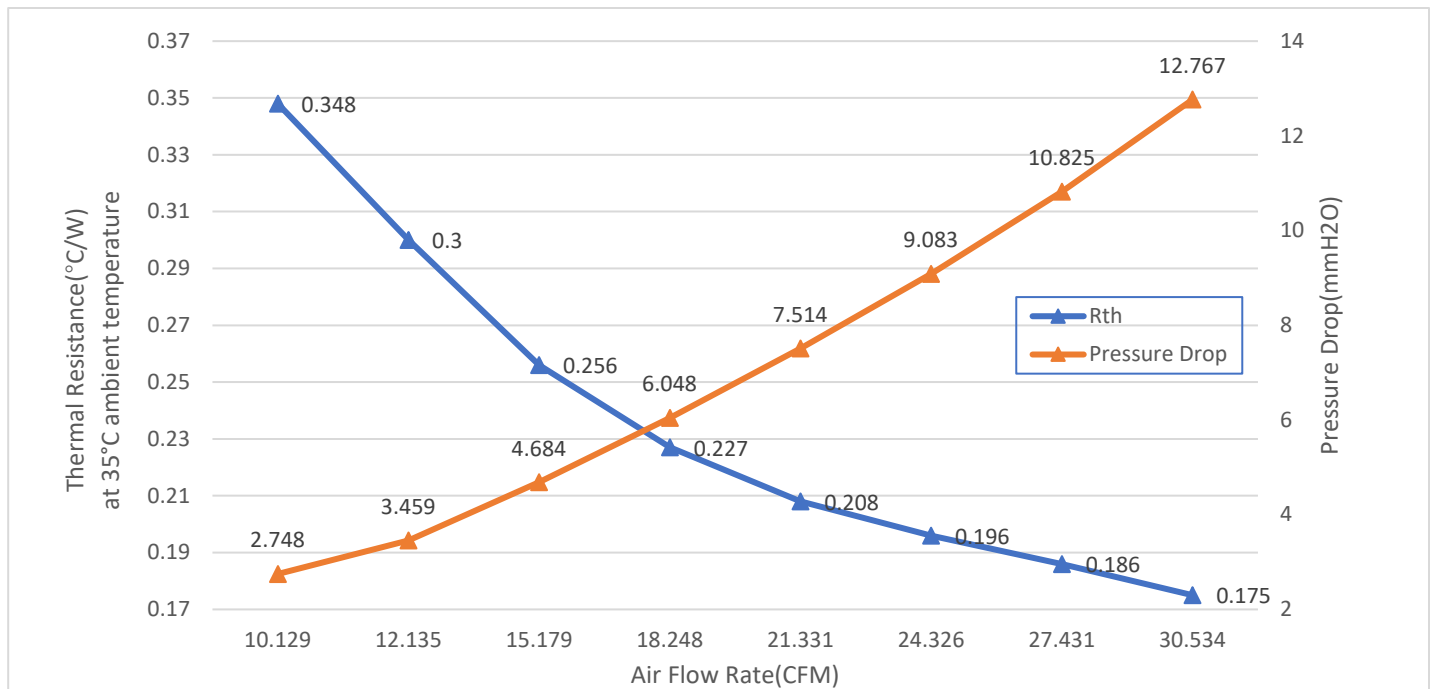
Model Number: A37

- Recommend for AMD® CPU as following
AMD® Ryzen™ Processor, Socket AM4
- Passive Cooler for 1U Server

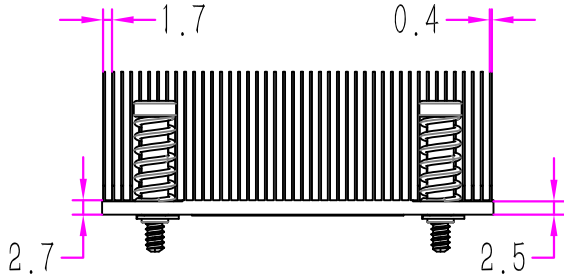
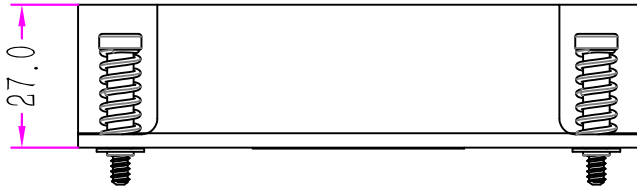
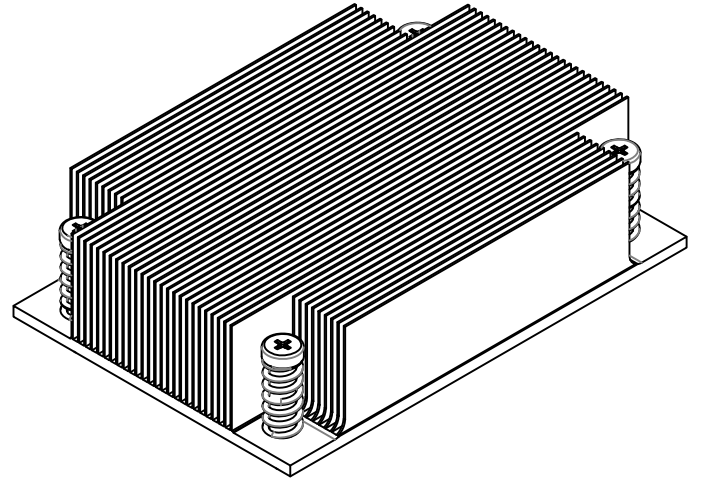
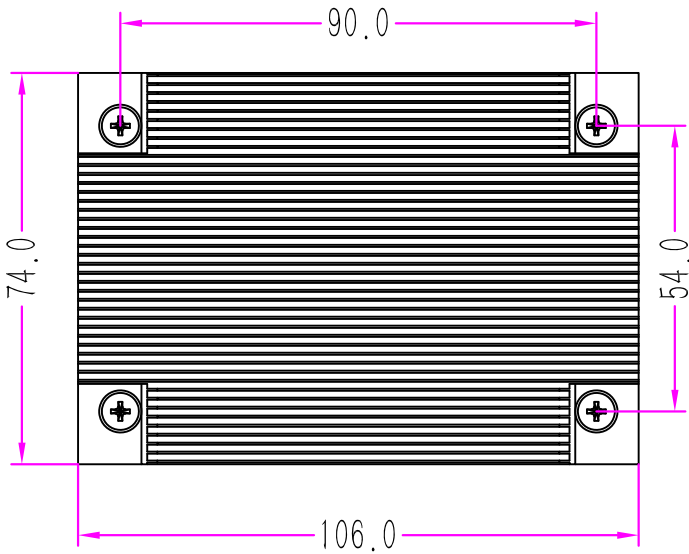
Overall Specification

Dimension	106.0 x 74.0 x 27.0 mm
Weight	586 ± 5g
Material	Copper Heat Sink with Skiving Fins
Back Plate	Included
Thermal Grease	Shin-Etsu 7762 pre-printed
TDP	Up to 105 Watts CPU Power Heat Dissipation

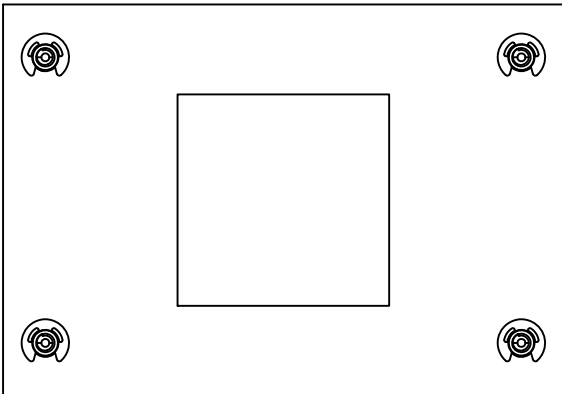
Performance Chart: Active Cooler A37 Thermal Resistance Cooling Performance vs. Airflow



REV.	DESCRIPTION	DATE	BY
1.0	INITIAL RELEASE		
2.0	DESIGN REVISION: VERIFY DRAWING - CHECK FOR DIMS ON CORRECTED		
3.0	REV. FOR FULL PRODUCTION		
3.1	REVISED TO INCLUDE "MOUNTING DIMENSIONS"		



Fin pitch: 1.7mm
 Fin thickness: 0.4mm



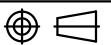
Heatsink bottom view (with the back plate hidden)

	NAME	DATE
DRAWN BY	Engr.	02/22/2021
CHECKED BY	Engr.	02/22/2021
ENG. APPROVED		
MFG. APPROVED	-	-

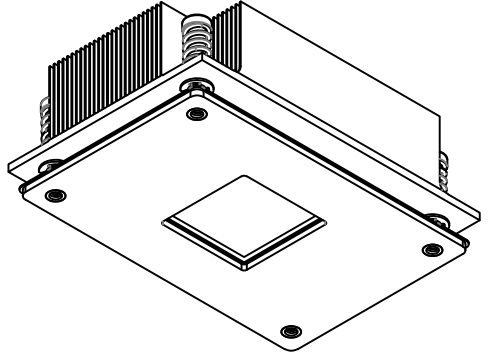
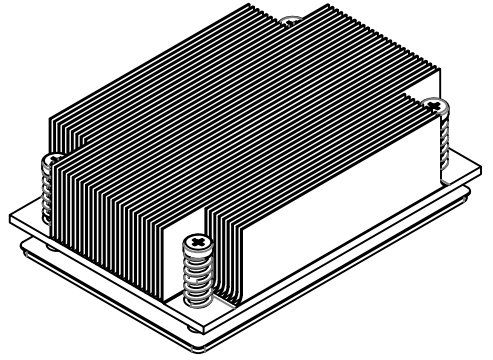
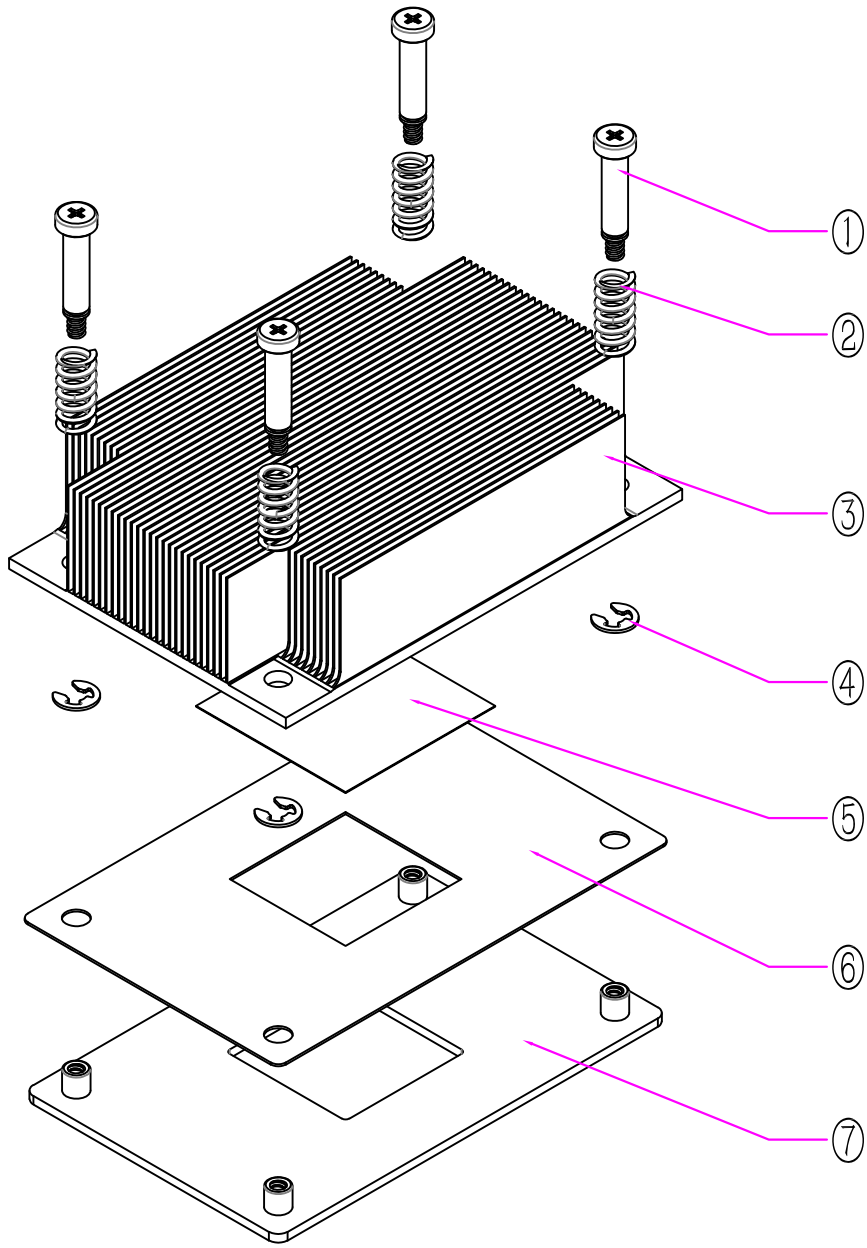
 **DYNATRON CORPORATION**

TITLE: 1U Passive Air Cooler A37
 Heatsink Overall Dimension Drawing

CONFIDENTIAL DOCUMENT
 THIS DRAWING CONTAINS INFORMATION PROPRIETARY TO DYNATRON CORPORATION AND DYNATECH INDUSTRIAL CO., LTD. ANY REPRODUCTION, DISCLOSURE, OR USE OF THIS DRAWING IS EXPRESSLY PROHIBITED EXCEPT AS DYNATRON CORPORATION AND DYNATECH INDUSTRIAL CO., LTD. MAY OTHERWISE AGREE TO IN WRITING.

VIEW		DWG. No.	DYN-DM-A37	REV.	0.2
UNITS	MM				

REV#	DESCRIPTION	DATE	BY
1.0	INITIAL RELEASE		
2.0	DESIGN REVISION - VERIFY DRAWING - CHECK FOR DIMS AND CORRECTIONS		
3.0	REVISED DRAWING		
4.0	REVISED DRAWING - ADDITIONAL DIMENSIONS		



7	BACKPLATE	SPOC	1
6	INSULATOR	PC	1
5	THERMAL GREASE, PRE-PRINT	SHIN-ETSU 7762	1
4	C-CLIP	STEEL	4
3	HEATSINK, SKIVING FIN	COPPER 1100	1
2	SPRING (50600390)	SUS 304	4
1	SCREW, HEATSINK MOUNTING(50902650)	STEEL	4
ITEM#	DESCRIPTION	MATERIAL	QTY.

	NAME	DATE
DRAWN BY	Engr.	02/22/2021
CHECKED BY	Engr.	02/22/2021
ENG. APPROVED		
MFG. APPROVED	-	-



DYNATRON CORPORATION

TITLE: 1U Passive Air Cooler A37
BOM & Exploded Assembly Drawing

CONFIDENTIAL DOCUMENT

THIS DRAWING CONTAINS INFORMATION PROPRIETARY TO DYNATRON CORPORATION AND DYNATRON INDUSTRIAL CO., LTD. ANY REPRODUCTION, DISCLOSURE, OR USE OF THIS DRAWING IS EXPRESSLY PROHIBITED EXCEPT AS DYNATRON CORPORATION AND DYNATRON INDUSTRIAL CO., LTD. MAY OTHERWISE AGREE TO IN WRITING.

VIEW		DWG. No.	DYN-EP-A37	REV.	0.2
UNITS	MM				